

”

”

,

“

”

152

-

-

“

”

”

”

”

”

• • •

• •

“ \_\_\_\_\_ ” \_\_\_\_\_ 2012 .

,

“

”

152

-

-

“ \_\_\_\_\_ ”

”

”

\_\_\_\_\_ .2017 .

\_\_\_\_\_ .2017 .

Завідувач кафедри

• • • , • • •

“ \_\_\_\_\_ ” \_\_\_\_\_ 2017 .

• • • • •

“ \_\_\_\_\_ ” \_\_\_\_\_ 2017 .

,

“

”

152

“ ”.// - . . . - : “ ”, 2017, - 33 .

: . . , . . . , .

: . . , . . . , .

CosmosWorks,

“ ”.

3-  
COSMOSWorks for Solid Works 2015.

(COSMOS-Works)

COSMOS-Works for SolidWorks 2015;

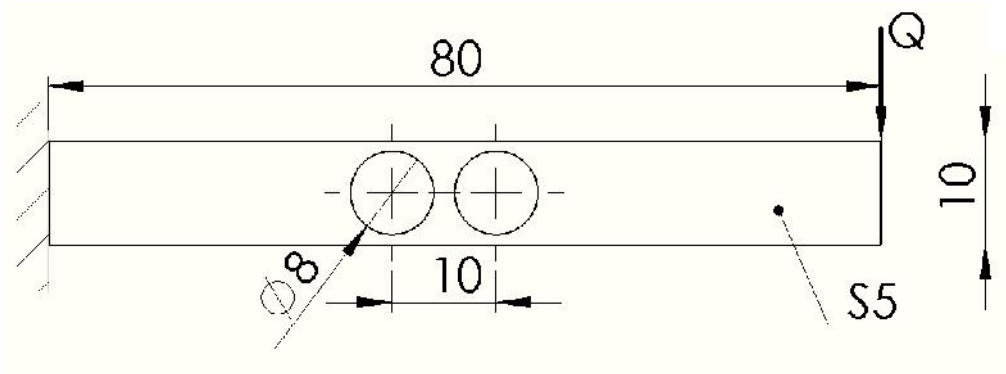
( , , .);

( , , .);

1

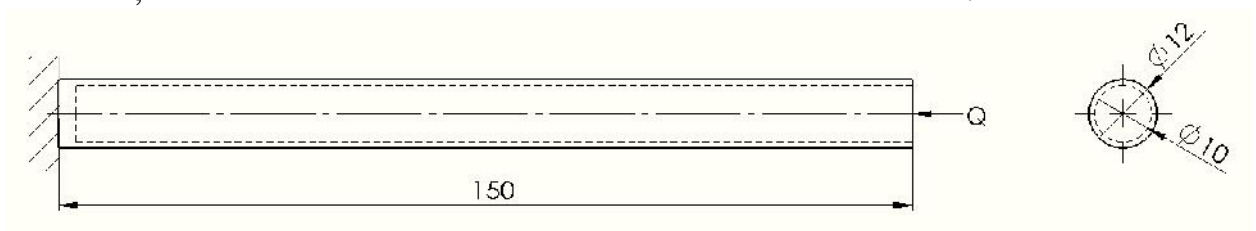
1

SolidWorks Simulation  
( Q=300 ) ( )



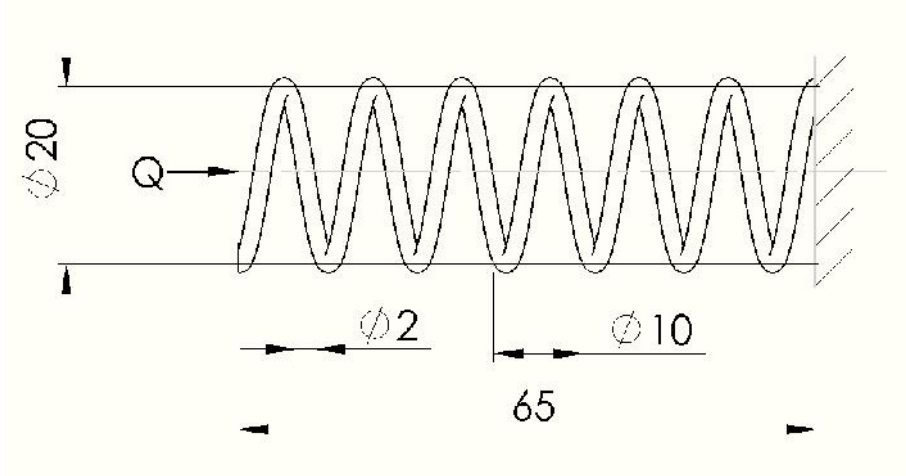
2

SolidWorks Simulation  
( Q=1000 ) ( )



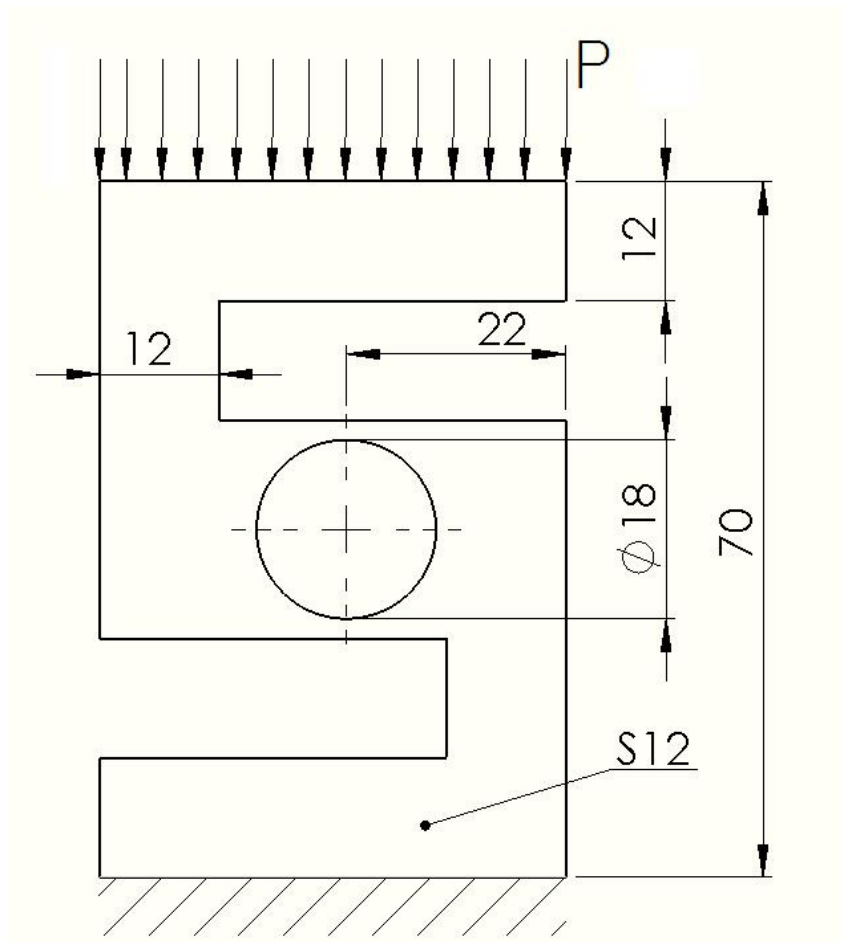
3

SolidWorks Simulation  
( Q =100 ) ( )



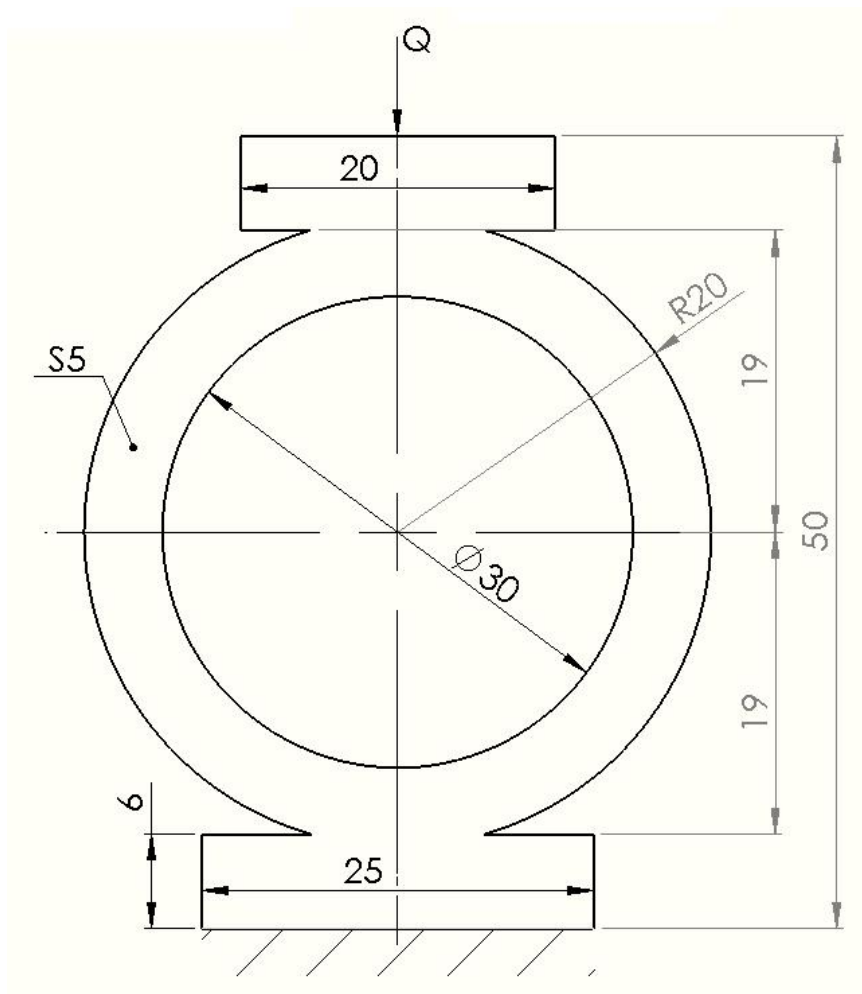
4

SolidWorks Simulation  
 (  $=3000 / ^2$  ) ( )



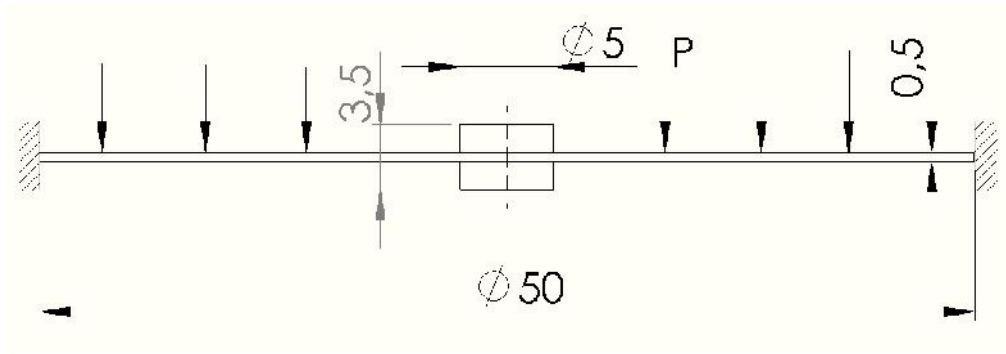
5

SolidWorks Simulation  
(  $Q = 300$  ) ( )



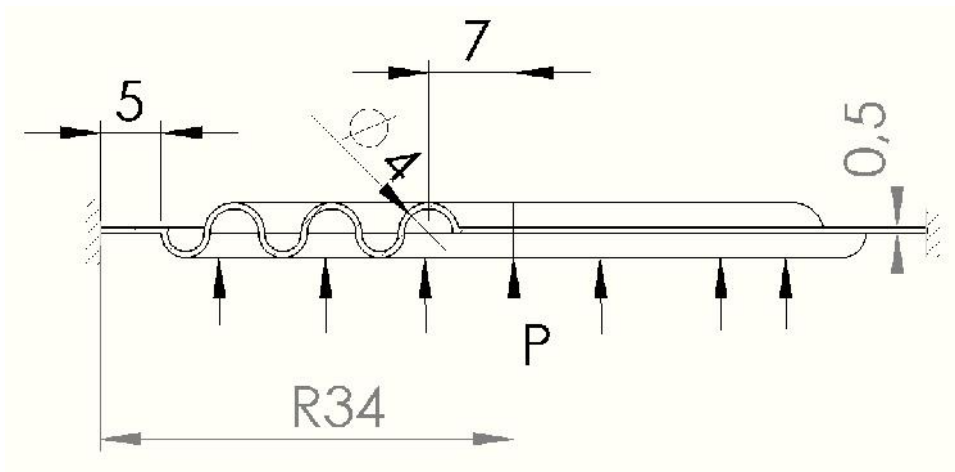
6

SolidWorks Simulation  
(  $= 3000 / ^2$  ) ( )



7

SolidWorks Simulation  
 (  $=300 / ^2$  ) ( )





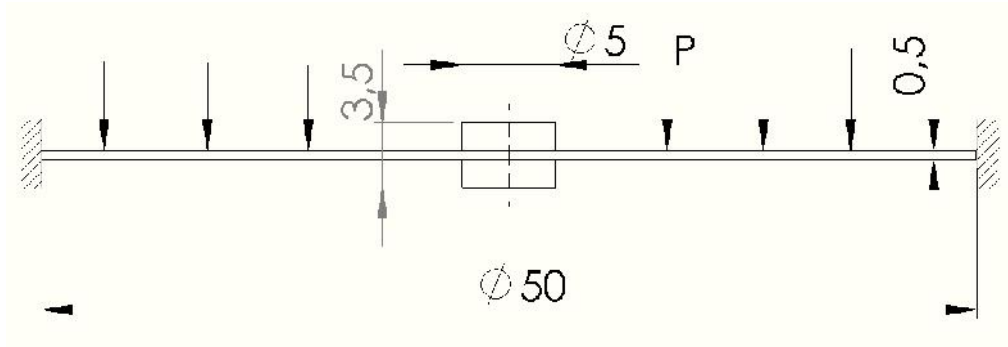
2

1

SolidWorks Simulation

( )

(  $=3000 / ^2$  ).

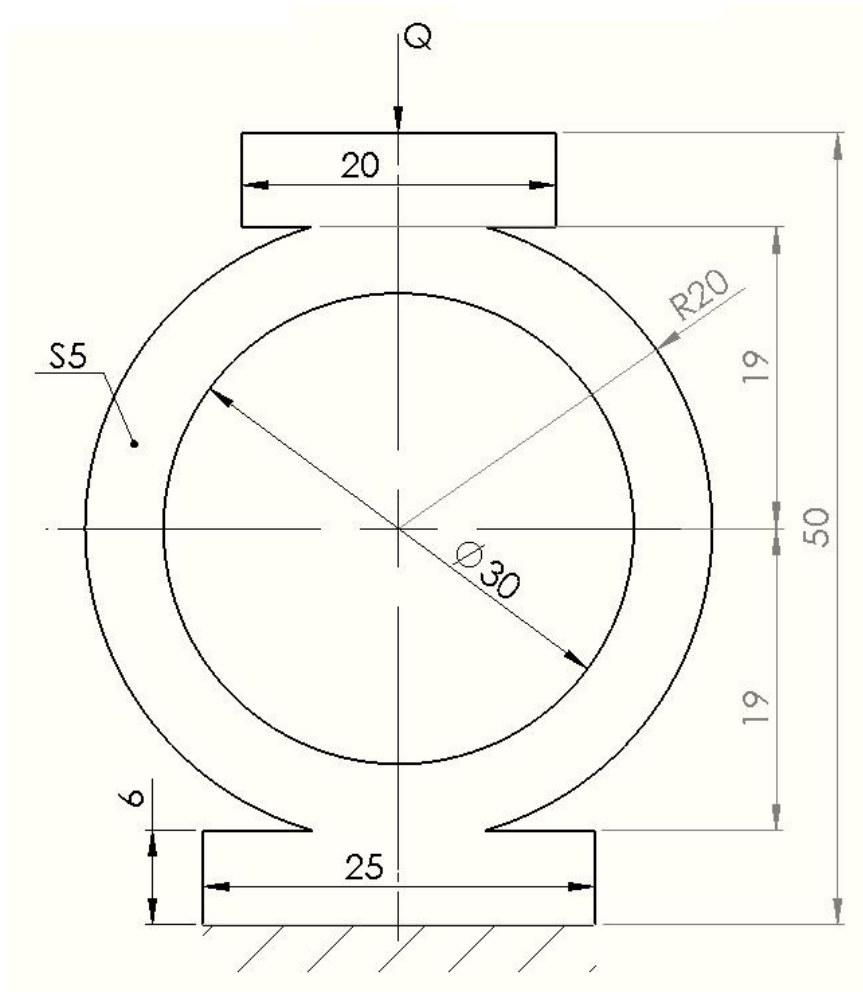


2

SolidWorks Simulation

( )

(  $Q=300$  ).

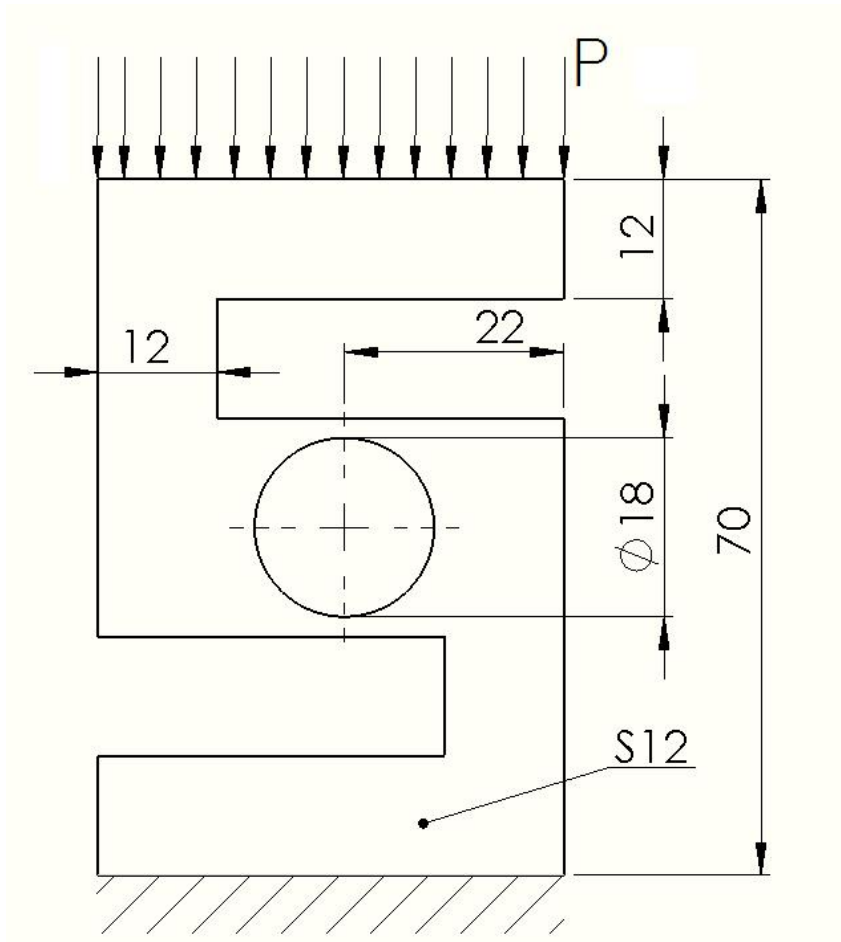


3

SolidWorks Simulation

( )

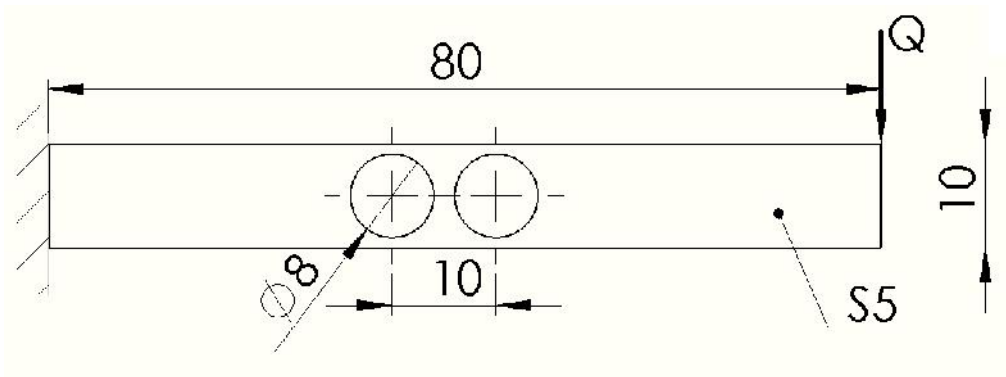
( =3000 / <sup>2</sup> ).



4

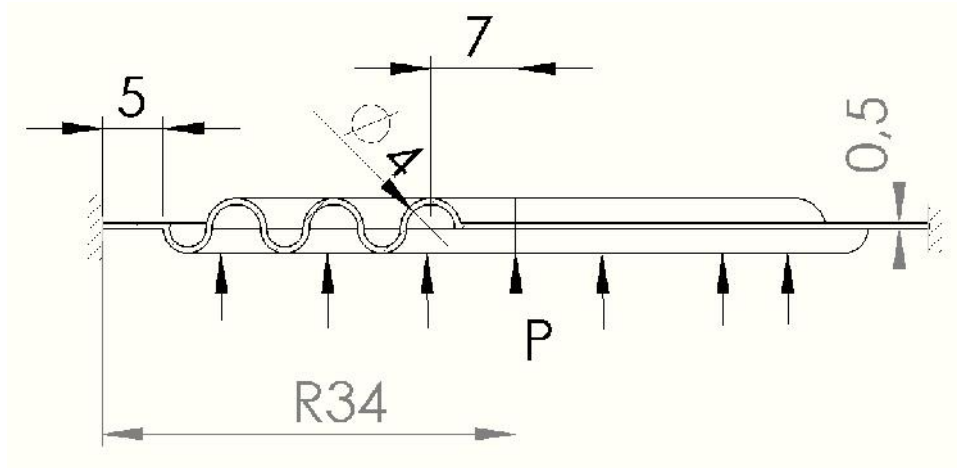
SolidWorks Simulation  
( )

(  $Q=300$  ).



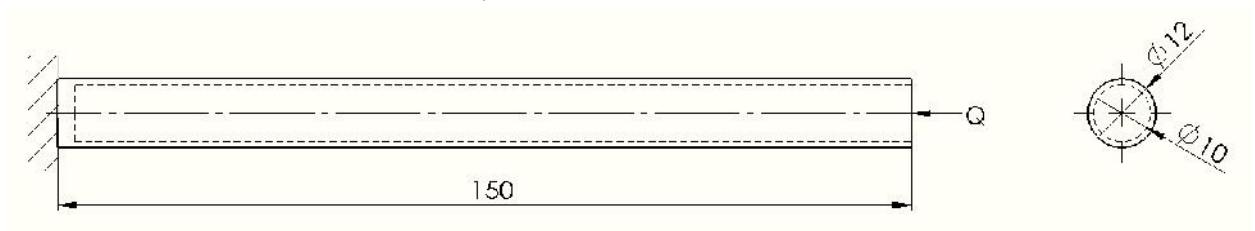
5

SolidWorks Simulation  
( ) ( =300 / <sup>2</sup> ).



6

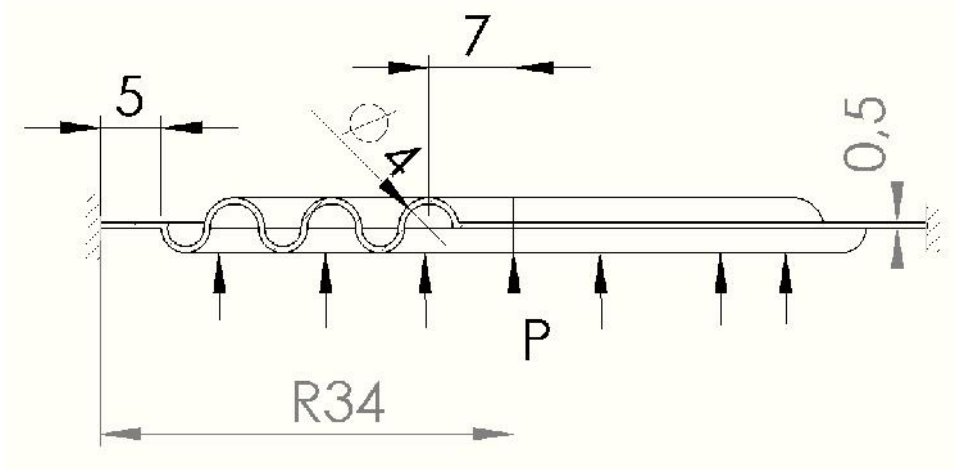
SolidWorks Simulation  
( ) ( Q=1000 ).



1 3

### SolidWorks Simulation

( )

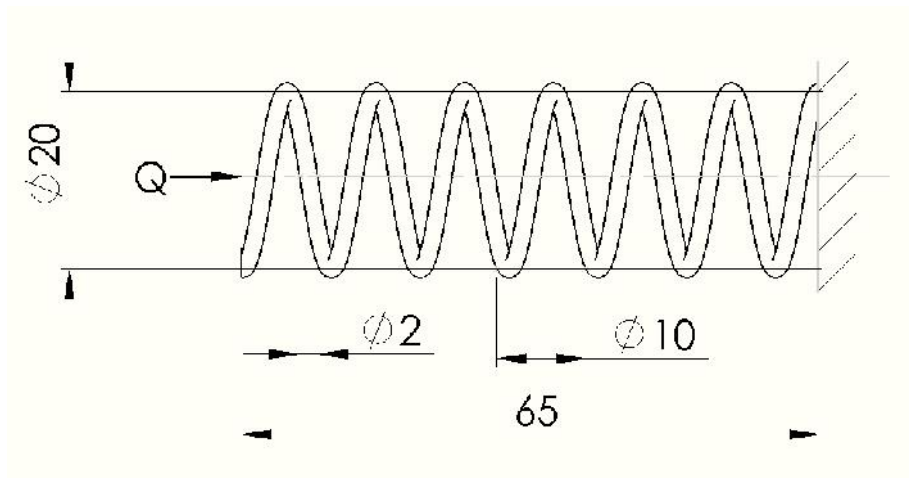


2

### SolidWorks Simulation

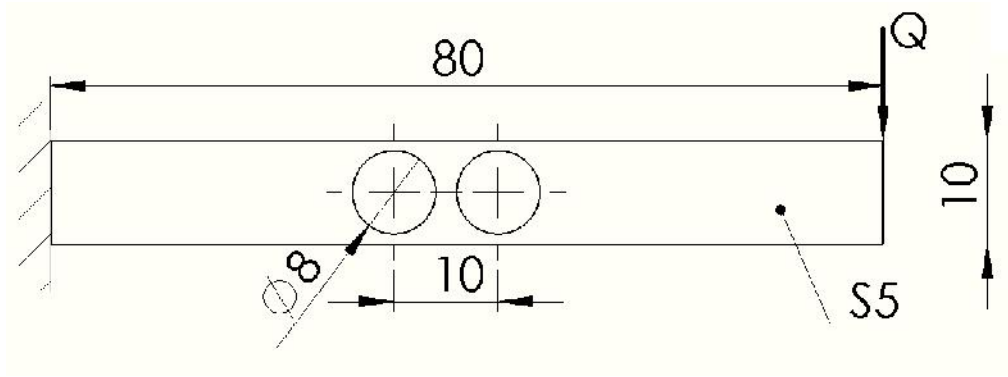
( )

( Q=100 )



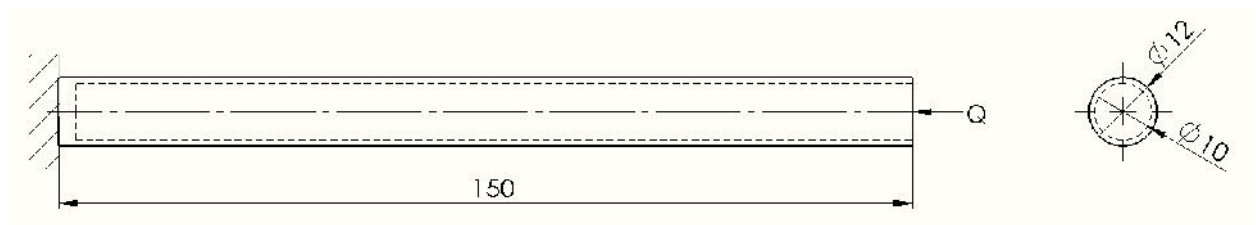
3

Q=300 ) SolidWorks Simulation ( )



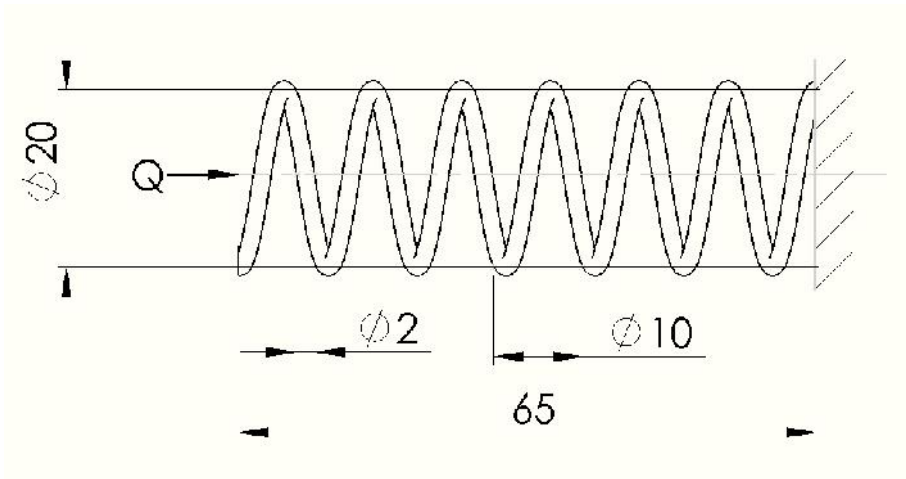
4

Q=1000 ) SolidWorks Simulation ( )



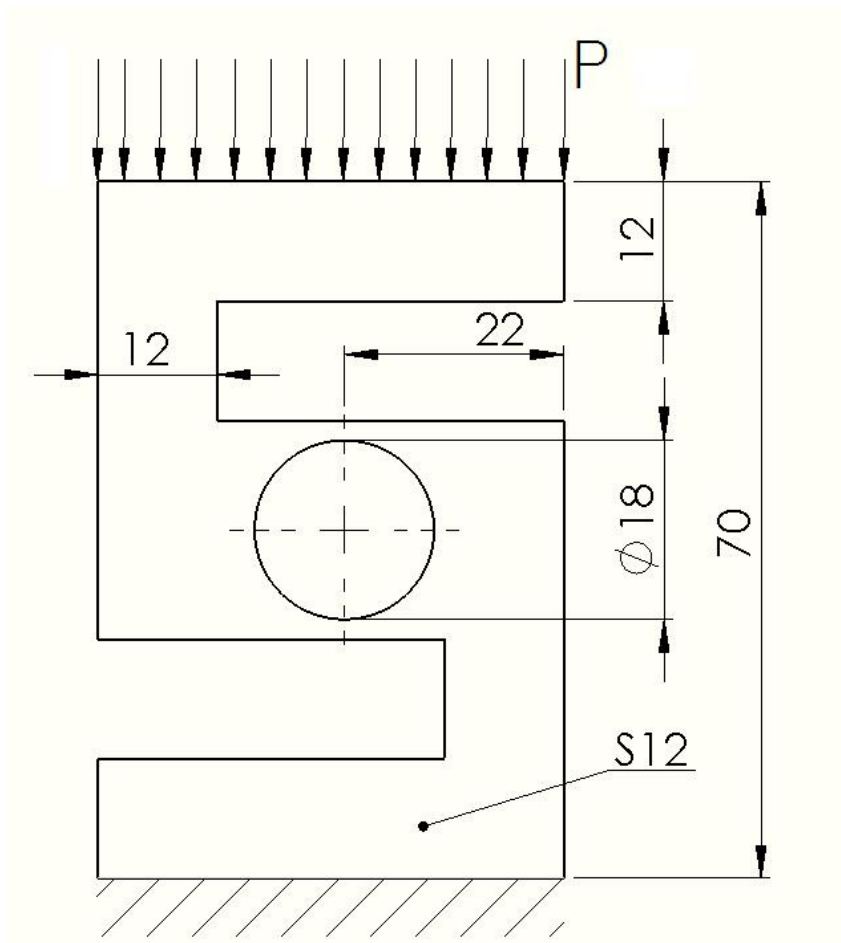
5

Q=100 ) SolidWorks Simulation ( )



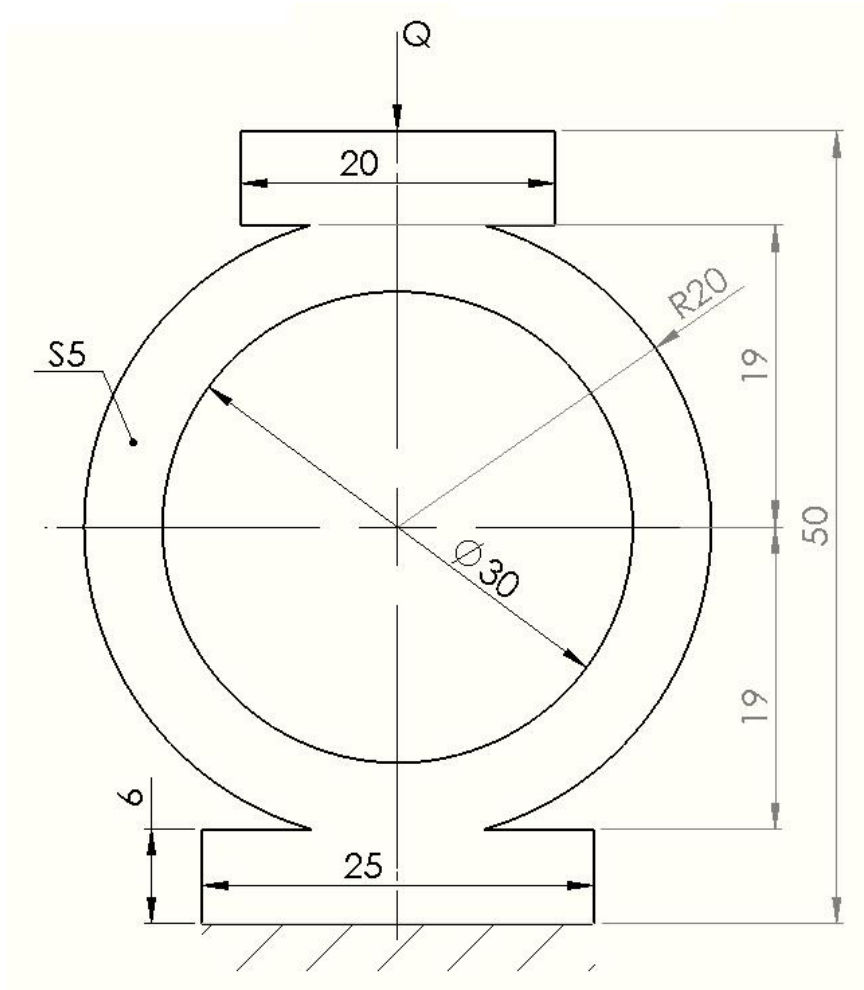
6

=3000 / <sup>2</sup>)      SolidWorks Simulation      ( )



SolidWorks Simulation

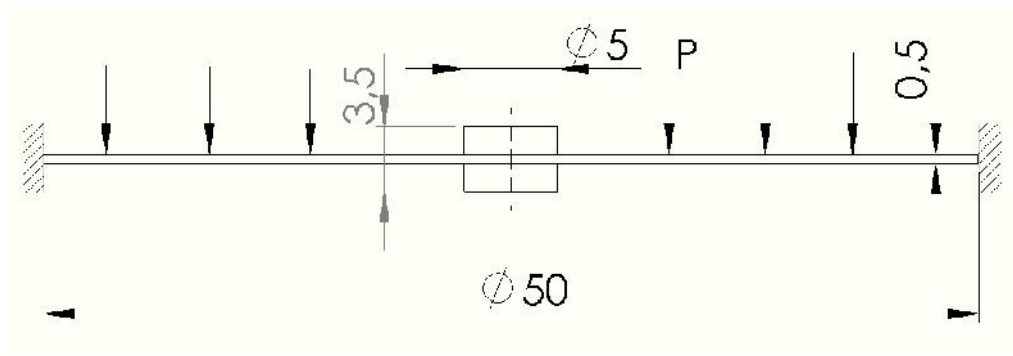
( )



SolidWorks Simulation

( )





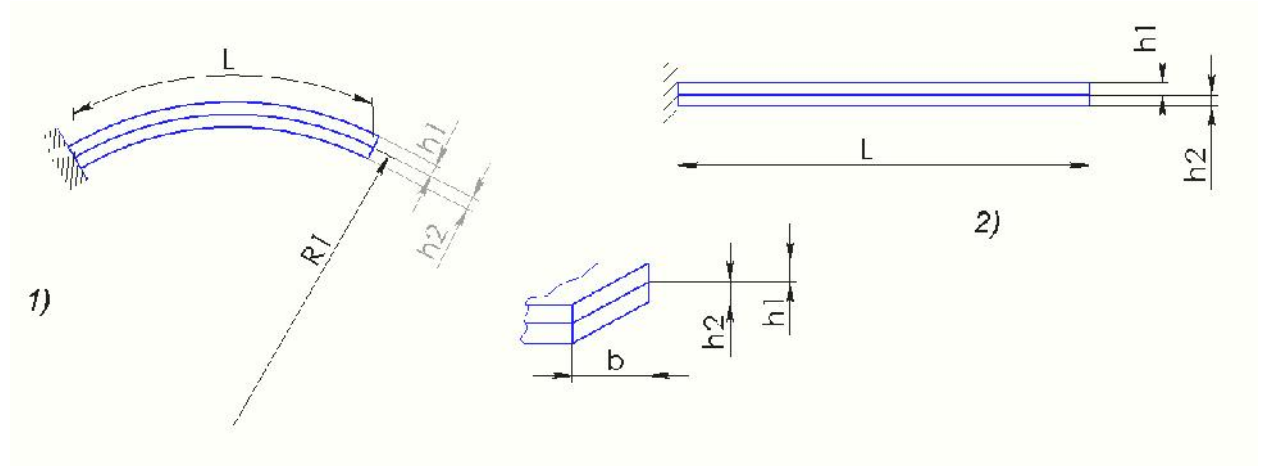
Simulation SolidWorks 3D

<p>1</p>		<p>1- ; 2- ;</p>
<p>2</p>		<p>1- ; 2- ; ( . )</p>
<p>3</p>		<p>1- ; 2- ; 3- ; ( . )</p>

<i>Áàð.</i>	<i>d</i>	<i>D</i>	<i>a</i>	<i>b</i>	<i>c=k</i>	<i>h</i>	<i>l</i>	
1	10	20	6	10	7	0.1	40	
2	11	22	7	11	8	0.2	42	
3	12	24	8	12	9	0.3	44	
4	13	26	9	13	10	0.4	46	
5	14	28	6	14	11	0.5	48	
6	15	30	7	10	12	0.1	50	
7	16	32	8	11	7	0.2	52	
8	10	34	9	12	8	0.3	40	
9	11	20	6	13	9	0.4	42	
10	12	22	7	14	10	0.5	44	
11	13	24	8	10	11	0.1	46	
12	14	26	9	11	12	0.2	48	
13	15	28	6	12	7	0.3	50	
14	16	30	7	13	8	0.4	52	
15	10	32	8	14	9	0.5	40	
16	11	34	9	10	10	0.1	42	
17	12	20	6	11	11	0.2	44	
18	13	22	7	12	12	0.3	46	
19	14	24	8	13	7	0.4	48	
20	15	26	9	14	8	0.5	50	
21	16	28	6	10	9	0.1	52	
22	10	30	7	11	10	0.2	40	
23	11	32	8	12	11	0.3	42	
24	12	34	9	13	12	0.4	44	
25	13	30	6	14	10	0.5	46	

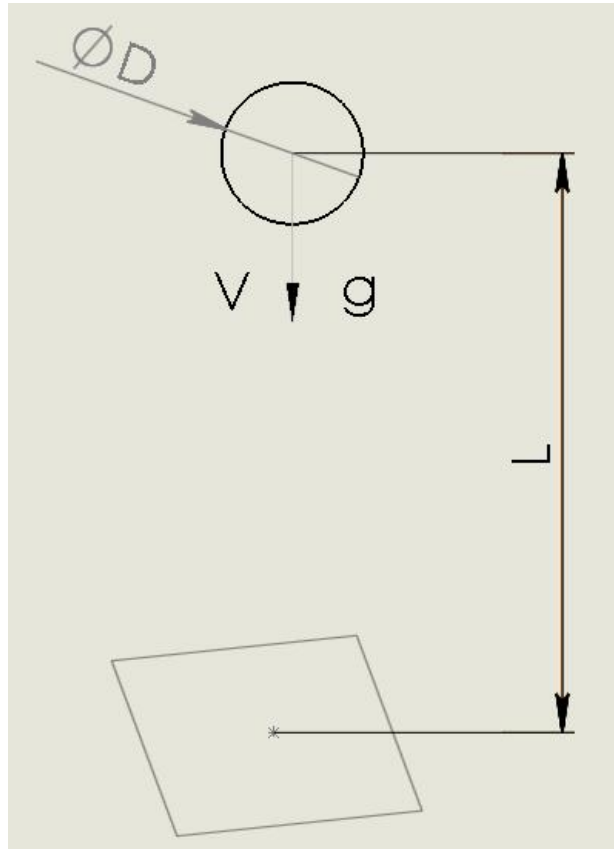
$\Delta$ ,

b, h1, h2,



	R, L,	b,	h1,	h2,	t, °C	$\Delta$ ,	
1	50	10	2	2	50	5	1
2	40	5	1,5	1,5	70	5	2
3	50	10	1	1	90	5	1
4	40	5	2	2	110	5	2
5	50	10	1,5	1,5	80	5	1

D) ( ) , V , L.  
g. , t.



	D,	L,	V, /c	g=9.8, /c <sup>2</sup>	t,	
1	50	10		2	50	
2	40		50	3	70	
3	30	15		1	200	
4	40		20	2	110	
5	50		100	1,5	80	
6	30	15		3	50	

---